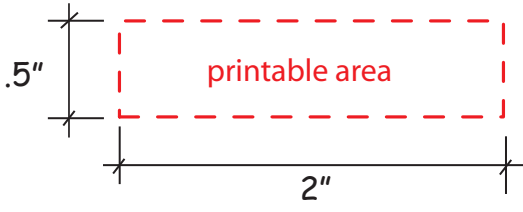
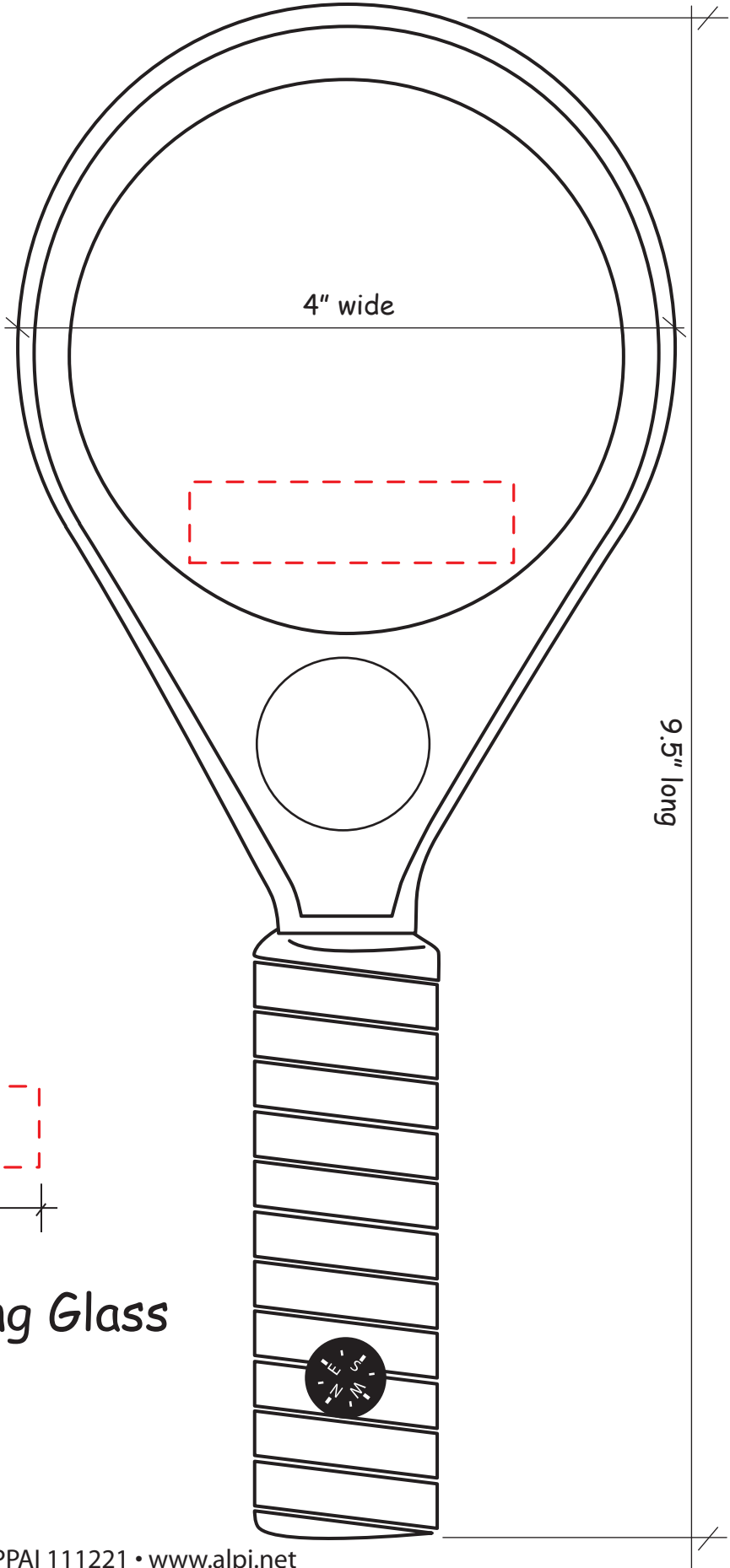


Use this number to obtain tracking information on www.alpi.net

Order #: _____
Production Time begins upon receipt of proof approval.
Account must be in good credit standing.



24099 - Magnifying Glass



ALPI International • ASI 34415 • PPAI 111221 • www.alpi.net

Artwork is always printed at maximum size unless otherwise requested. Due to the nature and orientation of some logos, the actual imprint area may vary from what is seen here and in our catalog.